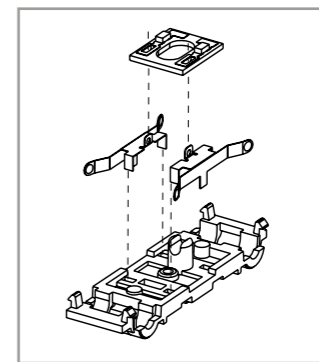
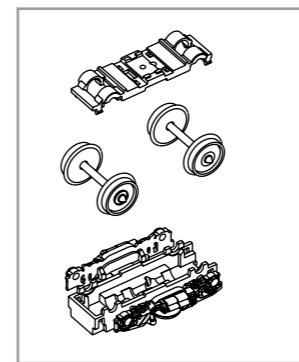
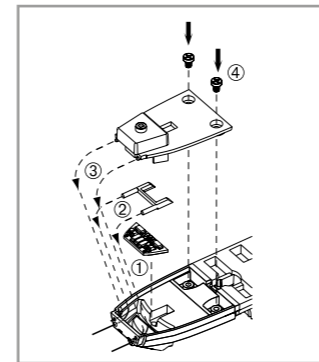
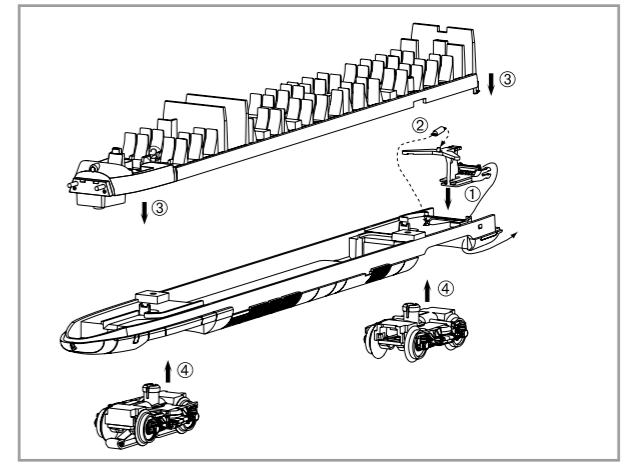
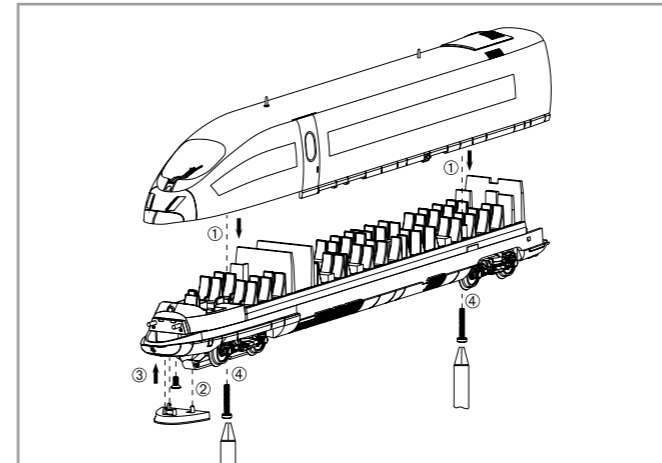
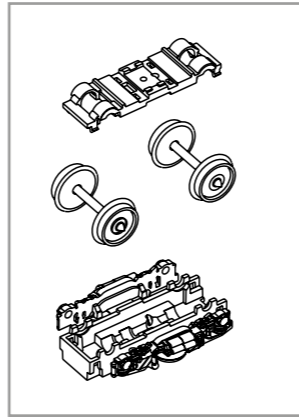
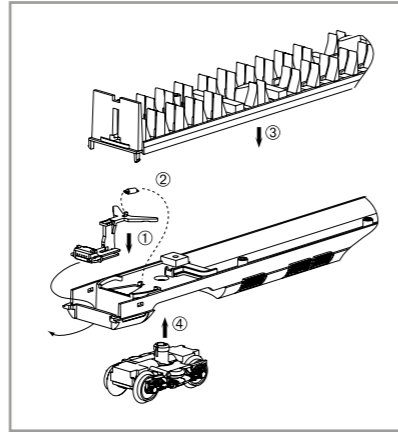
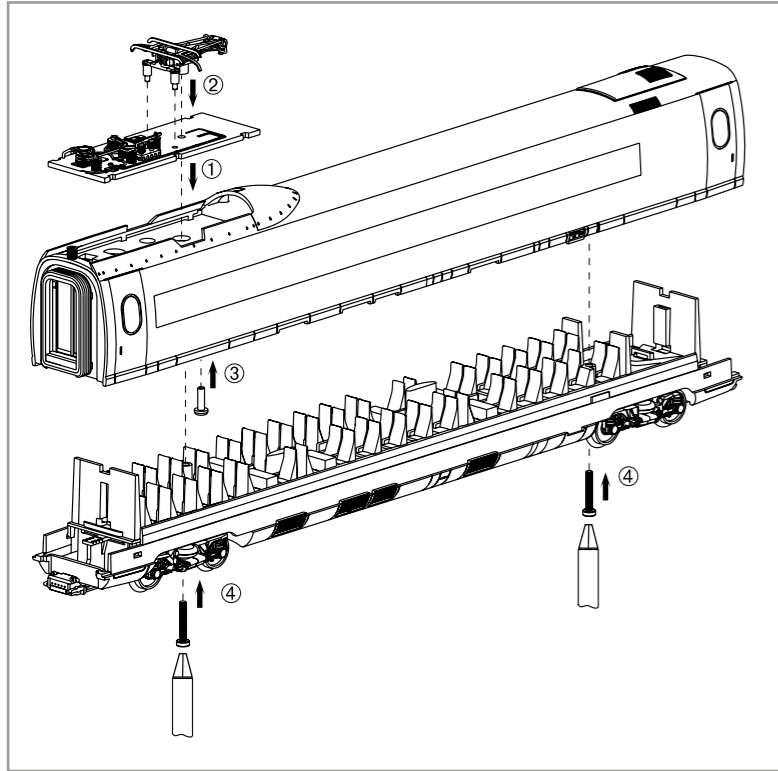
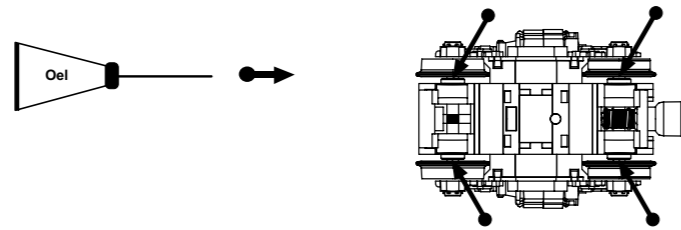


包装及说明书内包含重要信息,请保留备用



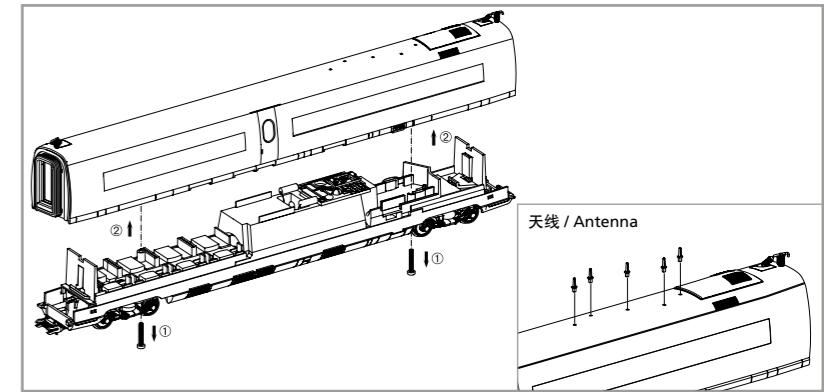
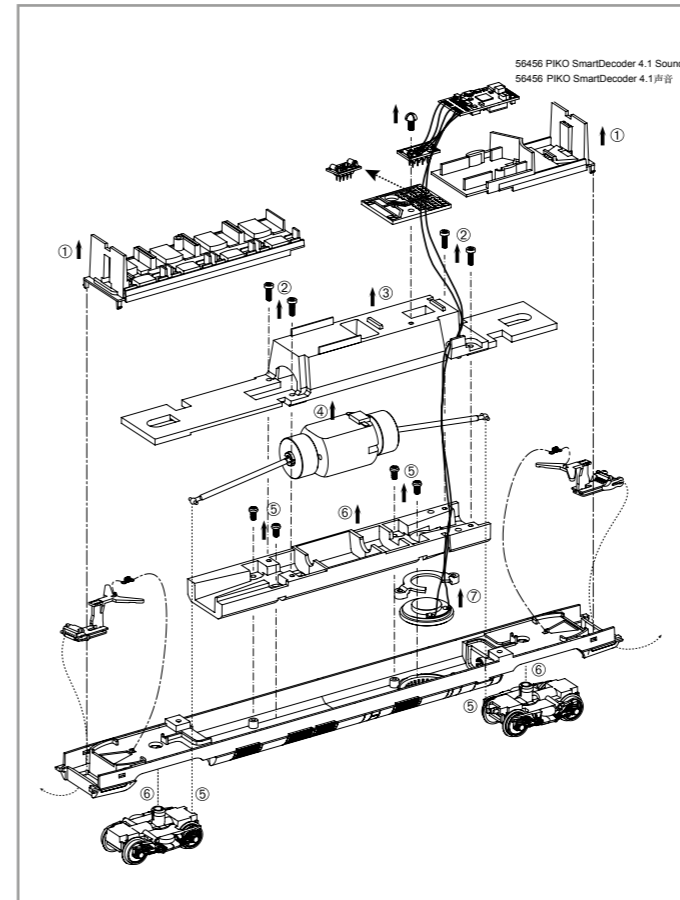
PIKO Art.-Nr.:
#56301 Lok-Öl (50 ml)
#56301 Loco-Oil / #56301 比高机油
#56300 Lok-Öler mit Feindosierung
#56300 Precision engine oiler w fine dosage /
#56300 比高机油



如果经常使用,可以在车轮上加上不含树脂、非酸性机油!
我们建议,让此火车不断转换方向地行驶大约25分钟,以便让它保持最优的回转及良好的牵引力。请注意,只有在清洁的轨道上才能保证此模型行驶顺畅。

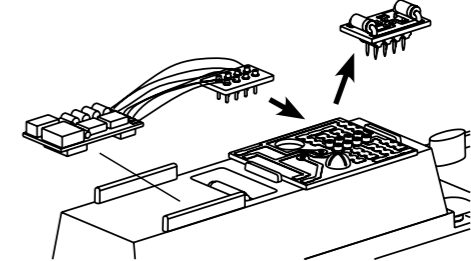
If used frequently, oil the wheelsets with a drop of non-resinous, acid-free sewing machine oil!
In order to achieve the best possible running and traction properties, it is advisable to run the locomotive in for 25 minutes forwards and 25 minutes in reverse without load. Clean rails are essential for good performance.

使用说明·餐车
Instructions for use

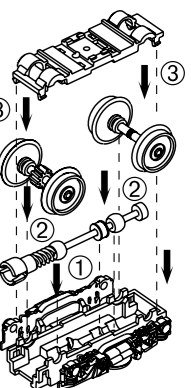


解码器安装 (DC)
Installing decoder (DC)

请保留DC插板!
Please save the DC Bridge!



牙箱
Driving bogey



CN 提示:
如需其他语言的安全须知请访问:
www.piko-shop.de

D Hinweis:
Sicherheitshinweise in weiteren Sprachen
finden Sie unter: www.piko-shop.de

GB Please note:
Safety instructions in other languages,
please see: www.piko-shop.de

F Conseil:
Des consignes de sécurité dans d'autres
langues peuvent être trouvées sur:
www.piko-shop.de

IT Nota:
Le istruzioni di sicurezza in altre lingue
sono disponibili su: www.piko-shop.de

E Aviso:
Las instrucciones de seguridad en otros
idiomas se pueden encontrar en:
www.piko-shop.de

PL Uwaga:
Wskazówki bezpieczeństwa w innych
językach są dostępne pod adresem:
www.piko-shop.de

NL Attentie:
Veiligheidsinstructies in andere talen
zijn te vinden op: www.piko-shop.de

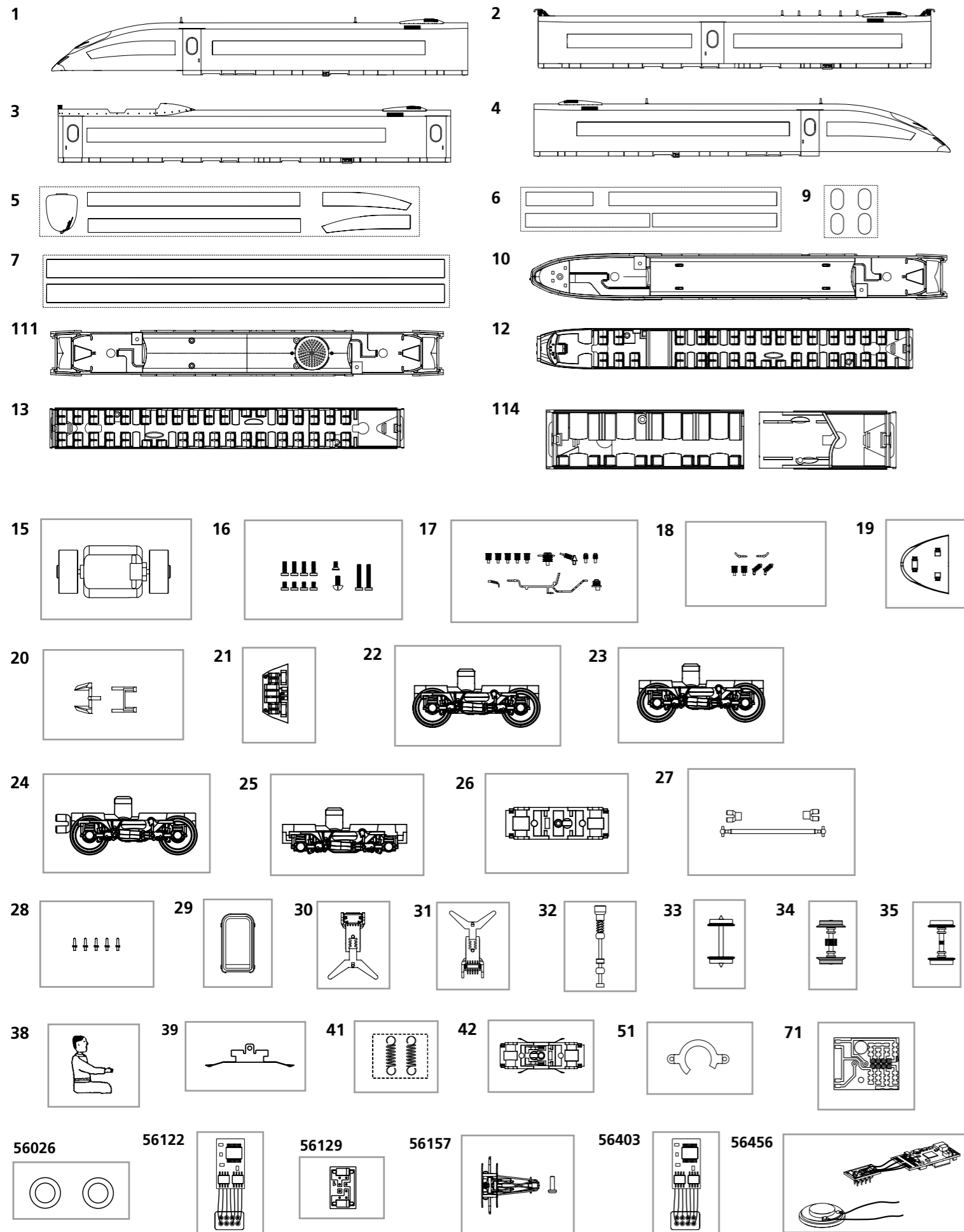
RU Намак:
Инструкции по безопасности на
других языках можно найти на:
www.piko-shop.de

CZ Upozornění:
Bezpečnostní pokyny v jiných jazycích
naleznete na adrese: www.piko-shop.de



散件 Spare parts

订购配件时请附上完整的配件号码. · Please order the wanted spare part with the complete spare part item number.



散件:	说明:	Description:	价格*
96720-01	一等车厢车身	Body, decorated, 1. top car, complete	13
96720-02	餐车车身	Body, decorated, dining-car, complete	13
96720-03	客车车厢车身	Body, decorated, for coach w insulators/ roof lines, complete	13
96720-04	二等车厢车身	Body, decorated, 2. top car, complete	13
96720-05	车厢车窗	Windows decorated for top car	10
57194-06	餐车车窗	Window decorated for dining-car	10
96720-07	客车车窗	Window decorated for coach	10
57194-09	车门窗户成品 (4套)	Door windows, 4 pc.	7
96720-10	一等车厢车底	Frame top car, decorated	10
96720-11	客车车底	Frame coach/dining-car	10
57194-12	车头内座	Interior fittings top car	8
57194-13	客车内座	Interior fittings coach	8
59114A-114	餐车内座	Interior fittings dining-car	8
57194-15	马达组件	Motor, complete	14
57194-16	螺丝	Set of screws, complete	8
57194-17	客车绝缘器	Insulators / Roof lines for coach w/ pantograph	8
57194-18	餐车绝缘器	Insulators / Roof linesfor dining-car	8
96720-19	挡板	Spoiler for top car	7
57194-20	导光柱	Strip light + headlamp bulbs	7
57194-21	前灯PCB	PCB of front lighting	11
96720-22	头等车厢牙箱组件	Bogey w wheel slider for 1. top car	11
96720-23	客车/二等车厢牙箱组件	Bogey w/o wheel slider for coach + 2. top car	10
96720-24	餐车轮架组件	Driving bogey for dining-car, complete	12
96720-25	轮架饰边	Bogey valance	7
96720-26	轮架底板	Bogey base plate	7
57194-27	球轴 + 接头	Cardan shafts + universal joints	7
96720-28	天线 (5套)	Antenna (set of 5)	7
57194-29	伸缩性连接器	Concertina gangway connection	7
57194-30	带插座的挂钩组件	Coupling shaft w bushes, complete	11
57194-31	带插针的挂钩组件	Coupling shaft w pins	11
57194-32	蜗牙	Worm gearing	10
57194-33	轮组	Wheelset	8
57194-34	驱动轮组	Driving wheelset	9
57194-35	驱动轮组	Driving wheelset	8
57194-38	司机	Engineer	8
57194-39	车轮拾电片	Wheel slider (set of 2)	7
57194-41	弹簧 (2套)	Spring (set of 2)	5
96720-42	牙箱底盖+拾电片	Bogey base plate w wheel contact + ferrit	11
57194-51	盖扬声器	Cover loud speaker	6
52500-71	PCB主板	PCB	10
备用零件的标准范围:		Spare parts standard range	
56026	胶胎 (10套)	Friction tyres (set of 10)	
56122	Hobby解码器 (DC/AC)	Multi protocoll decoder Hobby with load regulator (DC/AC)	
56129	DC插板	DC Bridge	
56157	天线架	Pantograph	
56403	PIKO SmartDecoder 4.1 8极	PIKO SmartDecoder 4.1 8-polig	
56456	PIKO SmartDecoder 4.1 声音	PIKO SmartDecoder 4.1 Sound ICE 3	

*价格表 *Price category