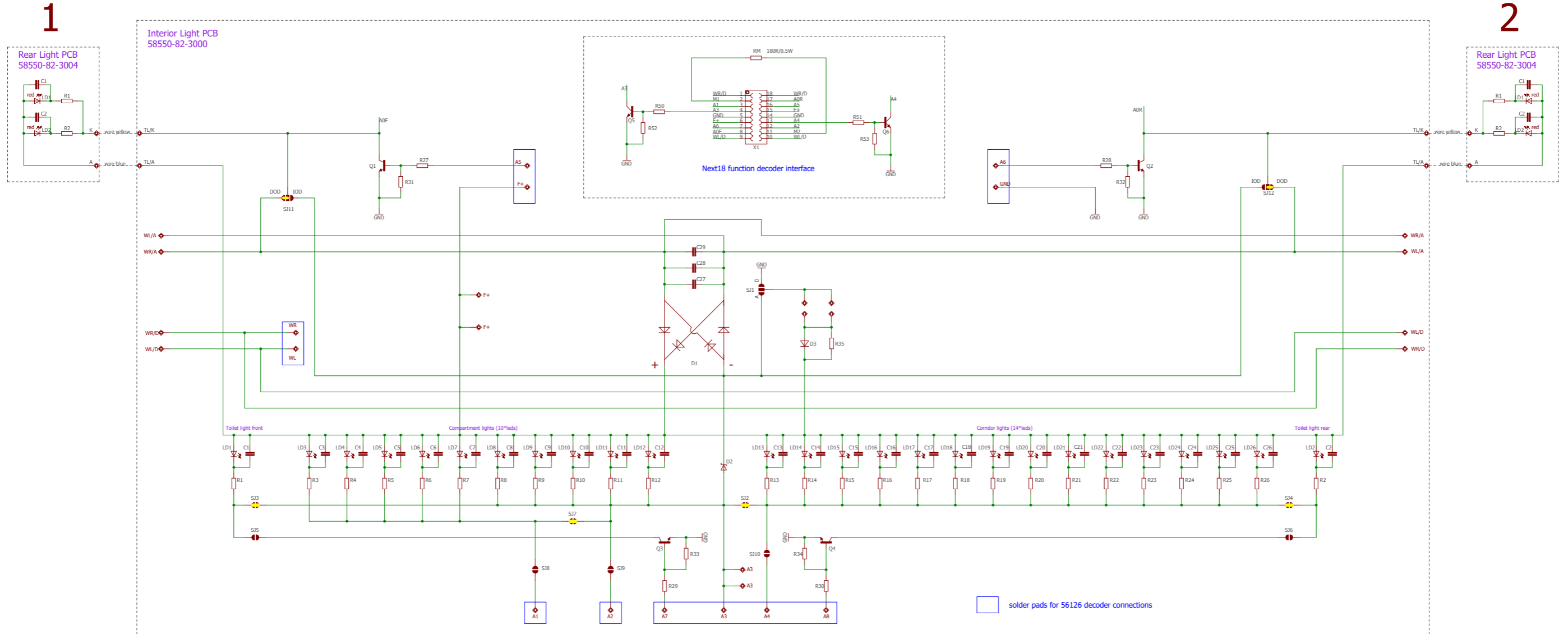


Y-Cars DR

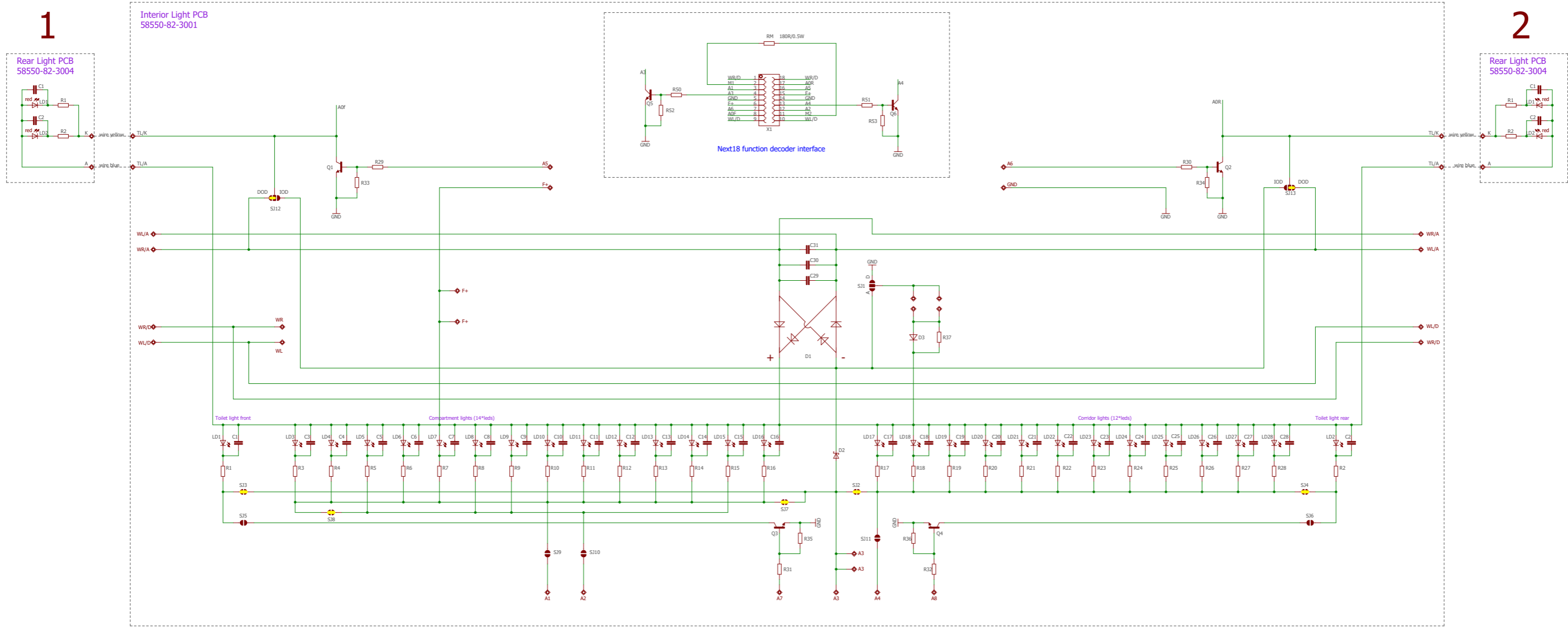
58550-82-3000_3004



| Next18 decoder Output ports | 56126 decoder Output ports | the corresponding output mapping relationship for light function |
|-----------------------------|----------------------------|--|
| A0f | A5 | A0f----> Taillight F <----A5 |
| A0r | A6 | A0r----> Taillight R <----A6 |
| A1 | A1 | A1----> interior lights of first class <----A1 |
| A2 | A2 | A2----> interior lights of second class <----A2 |
| A3 (SUSI) | A3 | A3----> all interior lights <----A3 |
| A4 (SUSI) | A4 | A4----> Corridor lights <----A4 |
| LSA (A5) | A7 | A5----> Toilet lights F <----A7 |
| LSB (A6) | A8 | A6----> Toilet lights R <----A8 |
| F+ | F+ | F+ <-----> F+ |
| GND | GND | GND <-----> GND |
| WR | WR | WR <-----> WR |
| WL | WL | WL <-----> WL |

56516
Fkt.Decoder
A0f
A0r
A1
A2
A3
A4
A5)
(A6)
F+
GND
WR
WL

| Document revision | Changes made |
|-------------------|-----------------|
| 00 | Initial release |
| | |
| | |
| | |
| | |
| | |
| | |
| | |
| | |

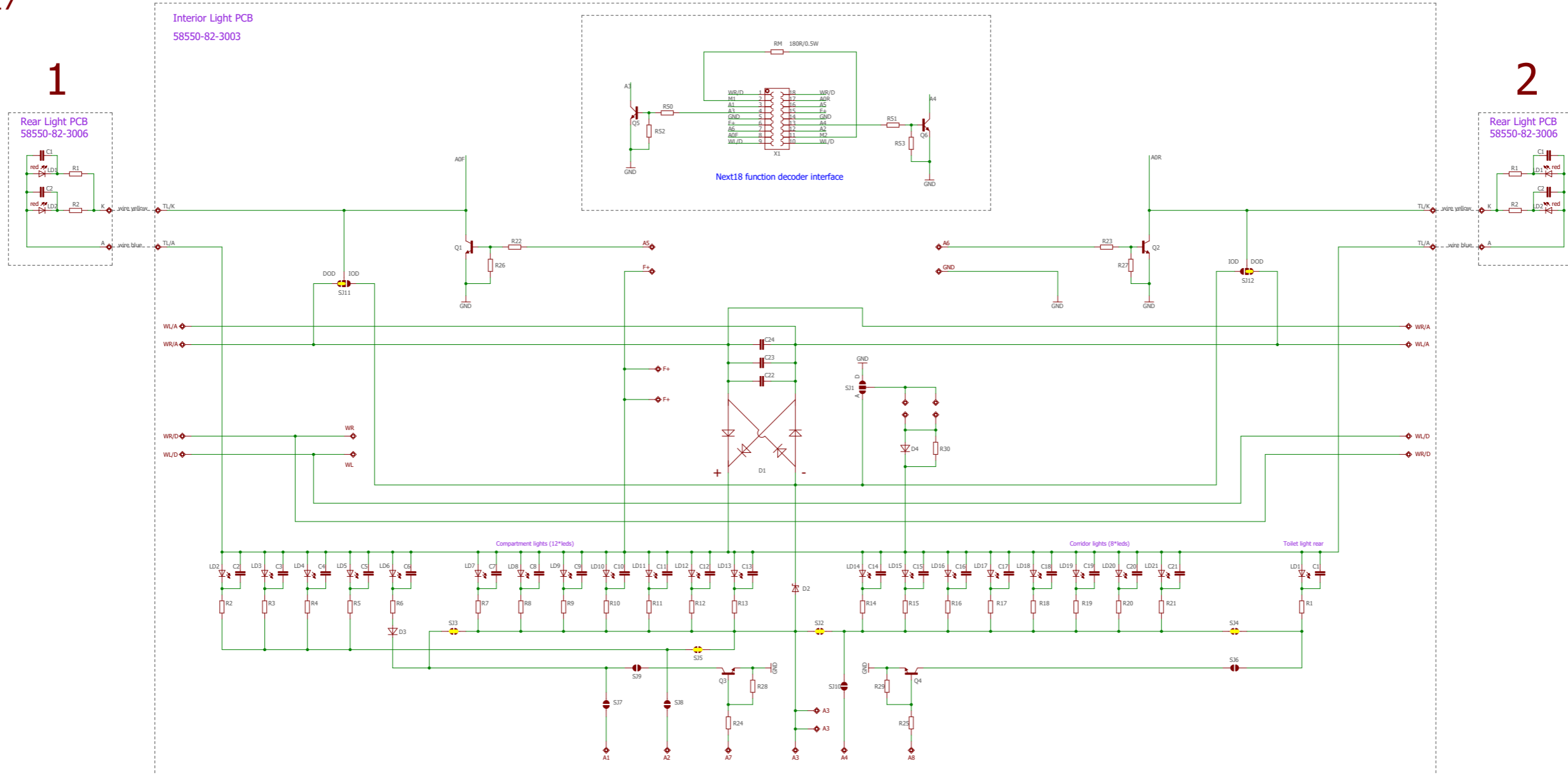


| Next18 decoder Output ports | 56126 decoder Output ports | the corresponding output mapping relationship for light function |
|-----------------------------|----------------------------|--|
| A0f | A5 | A0f----> Taillight F <----A5 |
| A0r | A6 | A0r----> Taillight R <----A6 |
| A1 | A1 | A1----> interior lights of first class <----A1 |
| A2 | A2 | A2----> interior lights of second class <----A2 |
| A3 (SUSI) | A3 | A3----> all interior lights <----A3 |
| A4 (SUSI) | A4 | A4----> Corridor lights <----A4 |
| LSA (A5) | A7 | A5----> Toilet lights F <----A7 |
| LSB (A6) | A8 | A6----> Toilet lights R <----A8 |
| F+ | F+ | F+ <-----> F+ |
| GND | GND | GND <-----> GND |
| WR | WR | WR <-----> WR |
| WL | WL | WL <-----> WL |

56516
 Fkt.Decoder
 A0f
 A0r
 A1
 A2
 A3
 A4
 (A5)
 (A6)
 F+
 GND
 WR
 WL

Y-Cars DR For V06
 58550-82-3003_3006
 Rev.:00
 2020-11-17

| Document revision | Changes made |
|-------------------|-----------------|
| 00 | Initial release |
| | |
| | |
| | |
| | |
| | |



| Next18 decoder Output ports | 56126 decoder Output ports | the corresponding output mapping relationship for light function |
|-----------------------------|----------------------------|--|
| A0f | A5 | A0f----> Taillight F <----A5 |
| A0r | A6 | A0r----> Taillight R <----A6 |
| A1 | A1 | A1----> interior lights of first class <----A1 |
| A2 | A2 | A2----> interior lights of second class <----A2 |
| A3 (SUSI) | A3 | A3----> all interior lights <----A3 |
| A4 (SUSI) | A4 | A4----> Corridor lights <----A4 |
| LSA (A5) | A7 | A5----> Toilet lights F <----A7 |
| LSB (A6) | A8 | A6----> Toilet lights R <----A8 |
| F+ | F+ | F+ <-----> F+ |
| GND | GND | GND <-----> GND |
| WR | WR | WR <-----> WR |
| WL | WL | WL <-----> WL |

56516
 Fkt.Decoder
 A0f
 A0r
 A1
 A2
 A3
 A4
 (A5)
 (A6)
 F+
 GND
 WR
 WL